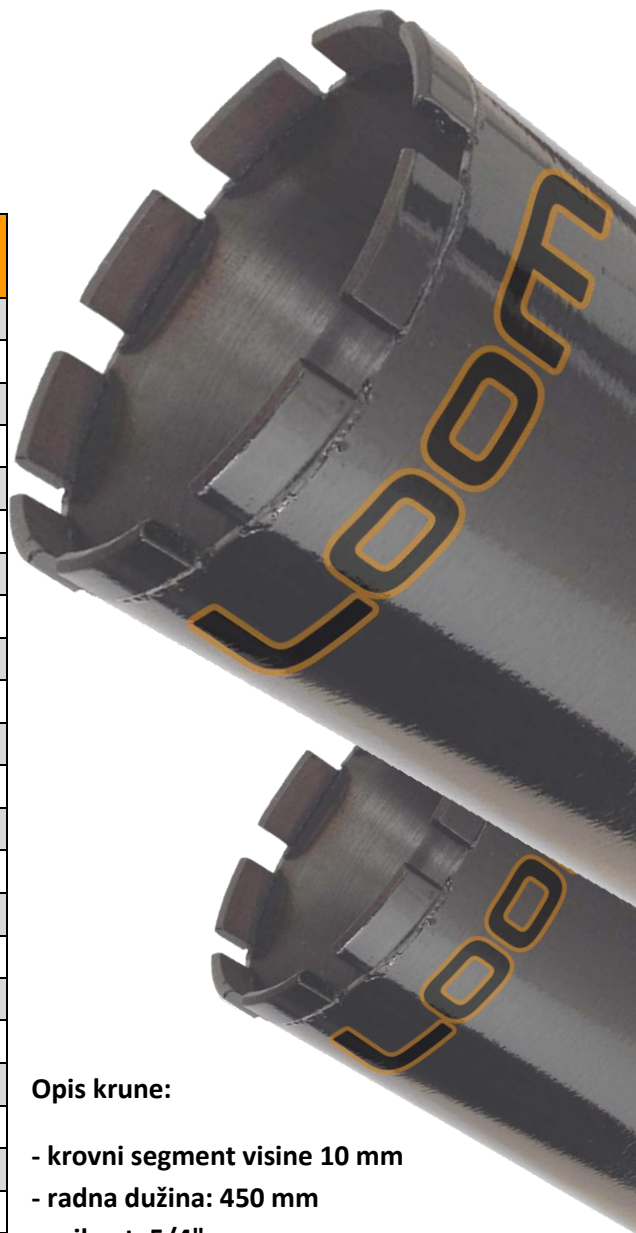


## CJENIK DIJAMANTNIH KRUNA 2016/2017

Dimenzija krune (mm)	Prihvat krune	Jedinična cijena (kn)
Ø 52	5/4"	594,51
Ø 55	5/4"	610,16
Ø 56	5/4"	617,98
Ø 57	5/4"	625,80
Ø 62	5/4"	657,09
Ø 67	5/4"	704,03
Ø 72	5/4"	719,67
Ø 77	5/4"	750,96
Ø 82	5/4"	813,54
Ø 92	5/4"	907,41
Ø 102	5/4"	923,06
Ø 107	5/4"	977,81
Ø 112	5/4"	1.032,57
Ø 122	5/4"	1.157,73
Ø 127	5/4"	1.220,31
Ø 132	5/4"	1.251,60
Ø 142	5/4"	1.282,89
Ø 146	5/4"	1.329,83
Ø 147	5/4"	1.345,47
Ø 152	5/4"	1.408,05
Ø 157	5/4"	1.439,34
Ø 162	5/4"	1.439,34
Ø 172	5/4"	1.658,37
Ø 182	5/4"	1.720,95
Ø 192	5/4"	1.736,60
Ø 202	5/4"	1.783,53
Ø 207	5/4"	2.033,85
Ø 212	5/4"	2.190,30
Ø 225	5/4"	2.597,07
Ø 232	5/4"	2.722,23
Ø 250	5/4"	2.847,39
Ø 300	5/4"	3.441,90
Ø 307	5/4"	3.926,90
Ø 310	5/4"	4.145,93
Ø 350	5/4"	4.224,15
Ø 400	5/4"	5.358,41
Ø 500	5/4"	6.367,52
Ø 600	5/4"	6.844,69



### Opis krune:

- krovni segment visine 10 mm
- radna dužina: 450 mm
- prihvat: 5/4"
- namjena: armirani beton, asfalt

### LASERSKI VARENA



Izražene cijene su bez PDV-a.